

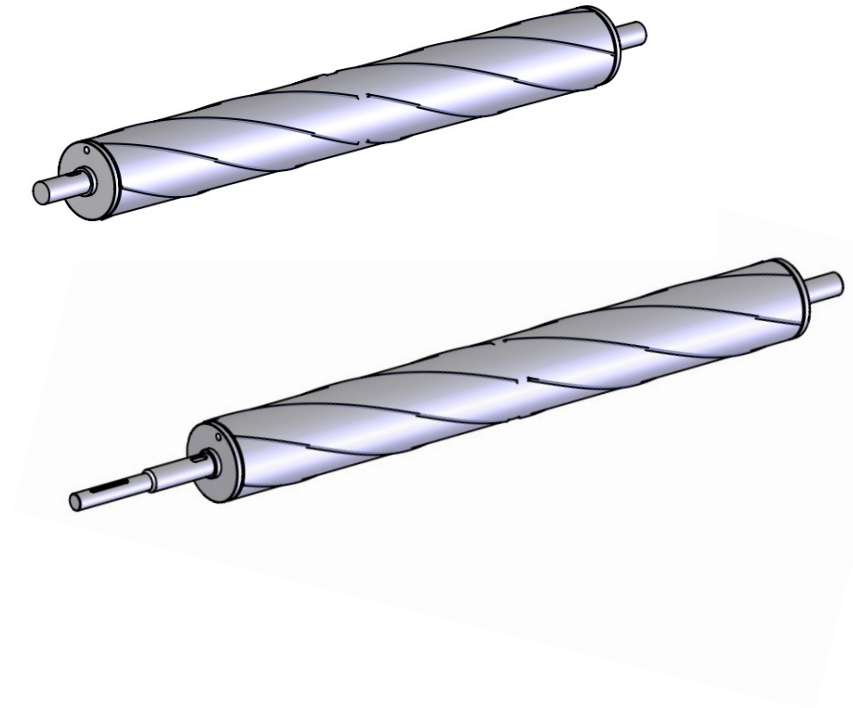
UPGRADE 006



Traction roller for pallet conveyor

Your advantages

- Increased line availability through optimized flow of empty pallets
- Breakdowns are noticeably reduced
- High grip of iced or wet empty pallets if they have been stored outside
- Traction roller is available in two variants: with drive shaft or rotating
- Installation or conversion possible in connection with a maintenance intervention
- Suitable for all pallet conveyors



Your benefits

A horizontal bar contains six benefit categories, each in a grey rectangular box. From left to right: 'EFFICIENCY' with a blue checkmark icon above it; 'ENVIRONMENT'; 'MEDIA'; 'QUALITY'; 'STAFF' with a blue checkmark icon above it; and 'MATERIAL'.